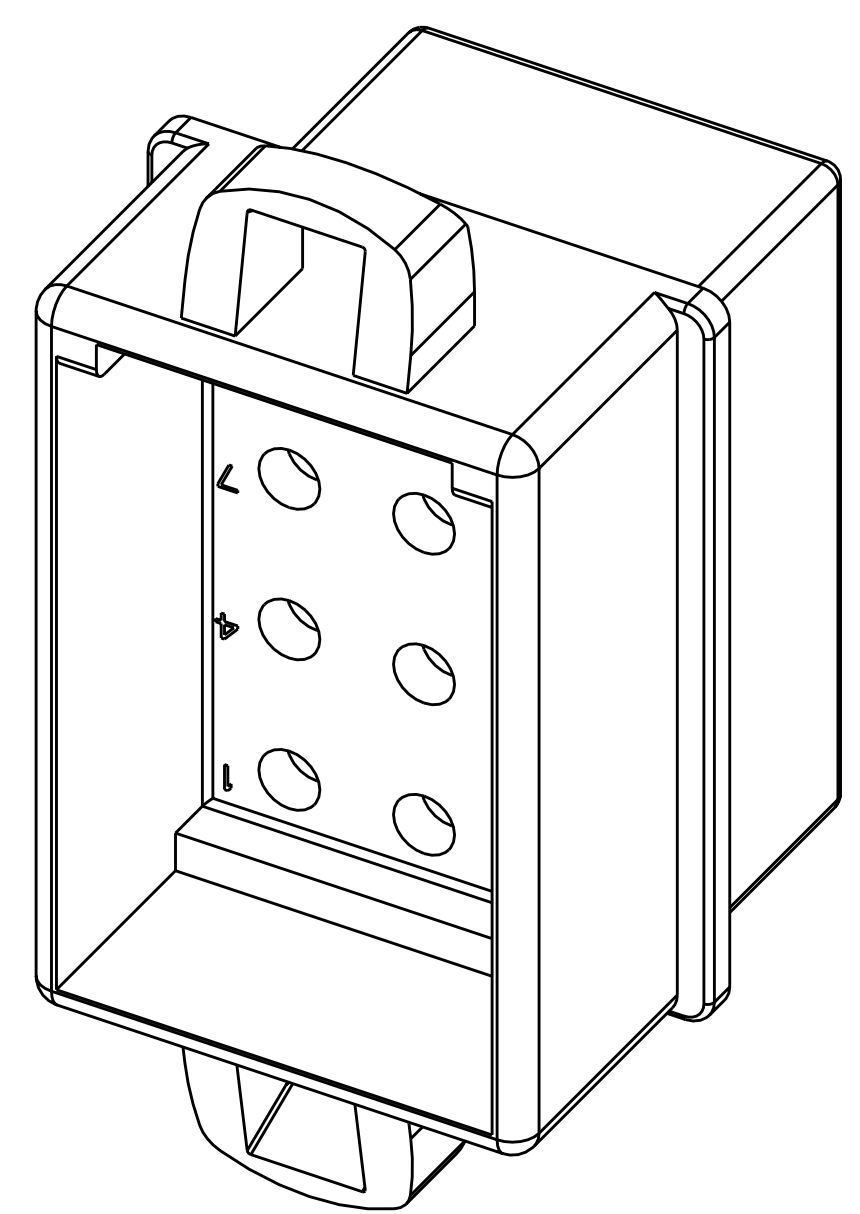
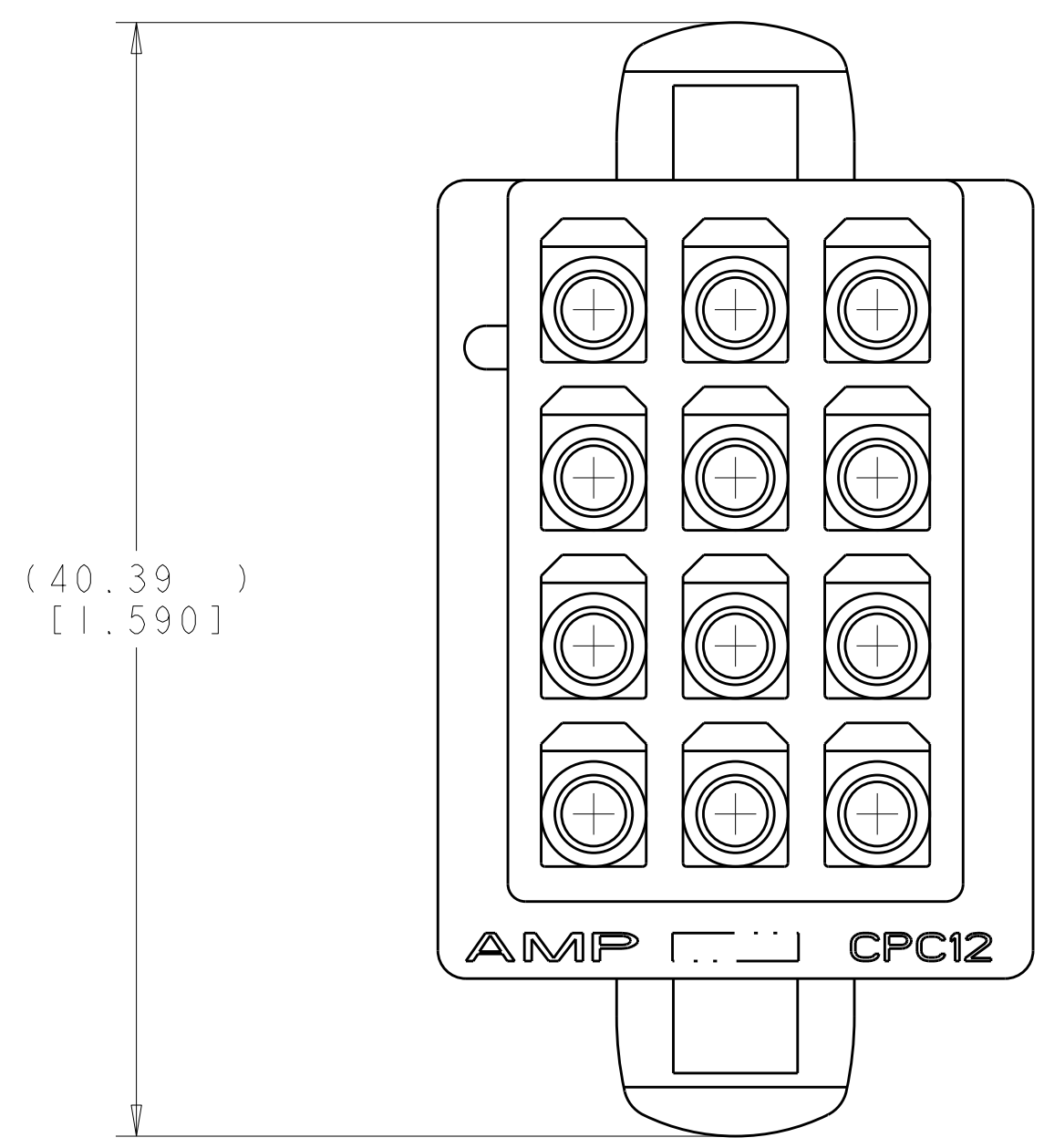
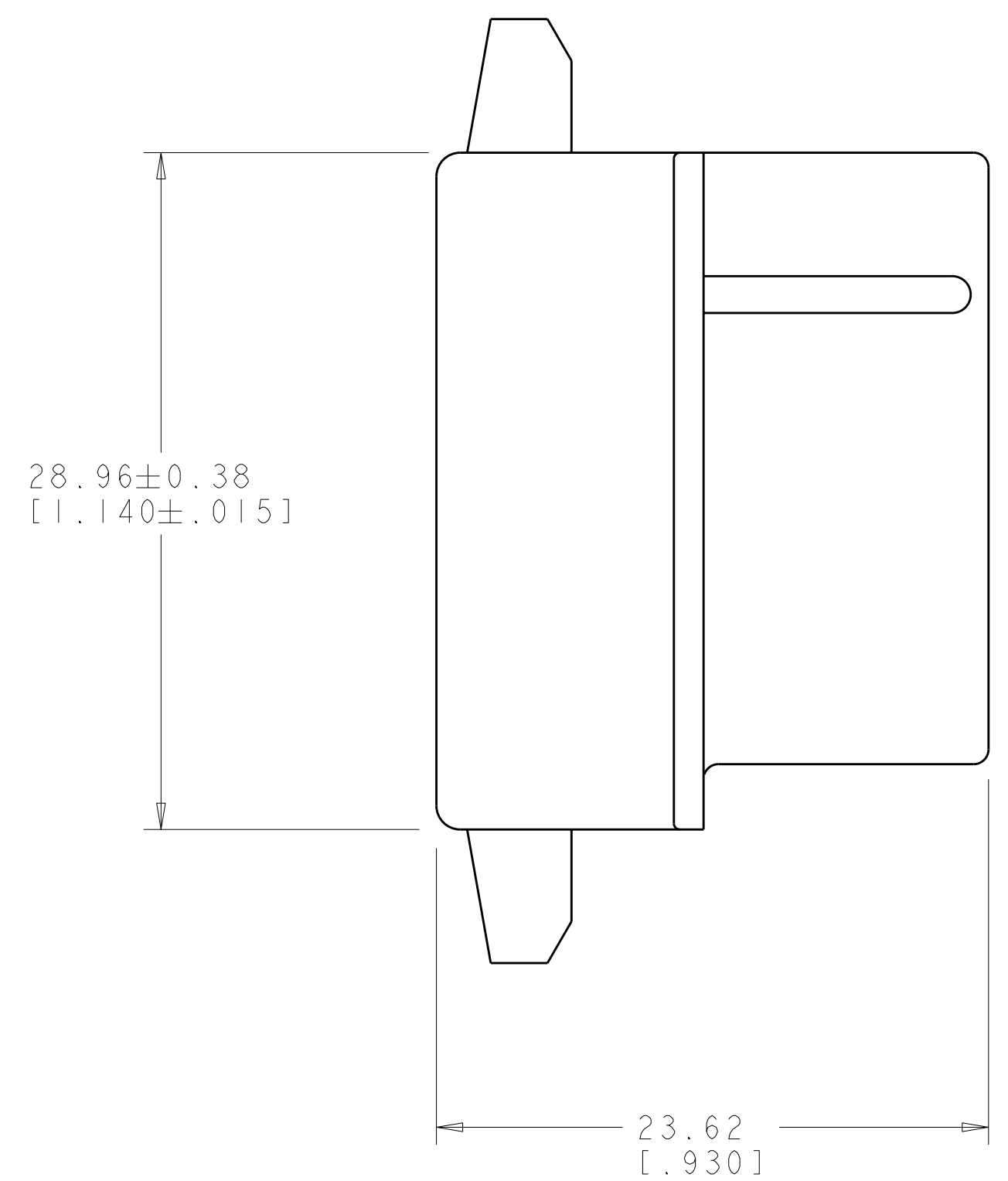
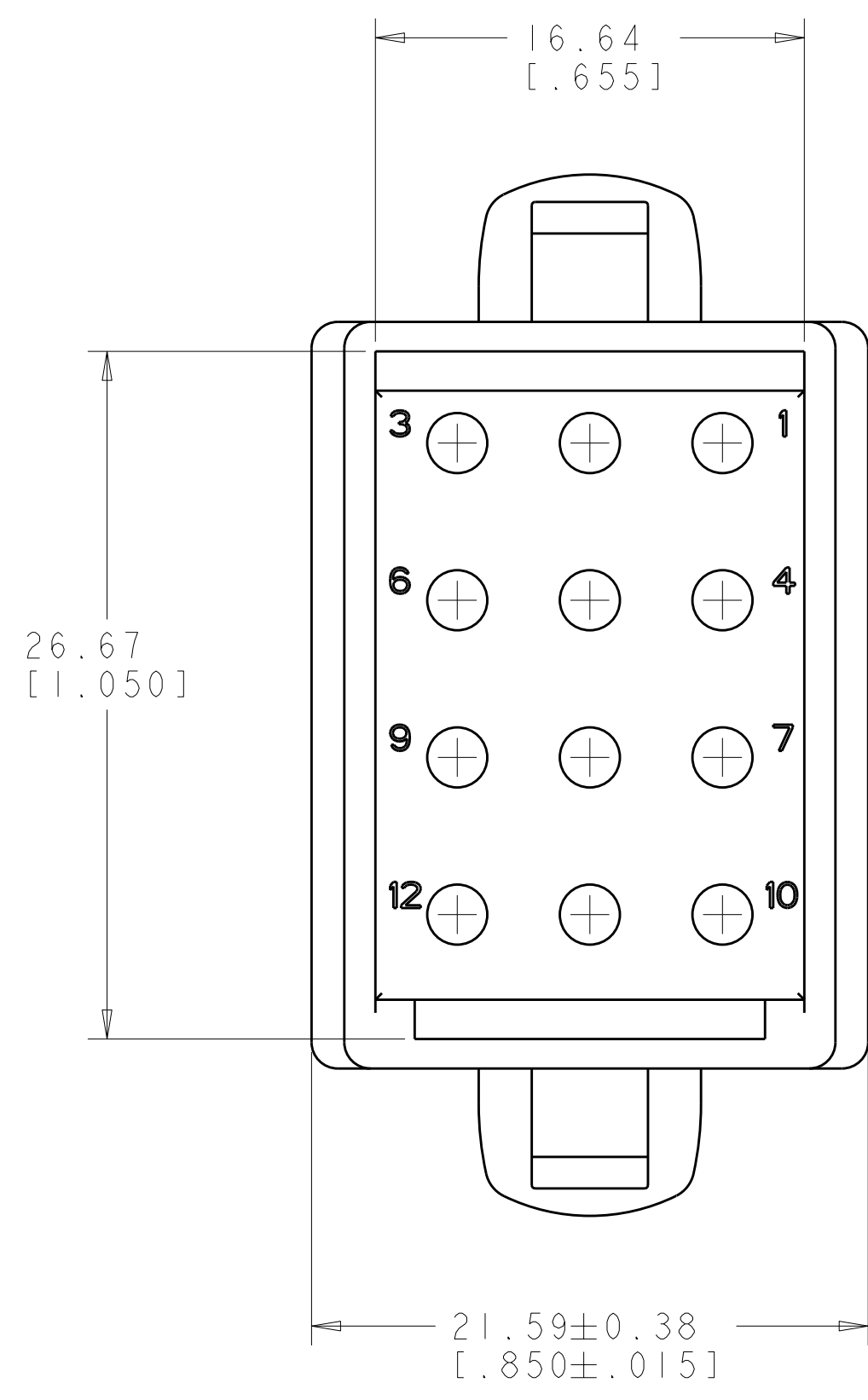


LOC	DIST	REVISIONS					
CM	00	P	LTB	DESCRIPTION	DATE	DWN	APVD
		L		ECO-08-007186	19MAR2008	KW	CC

1. TO BE USED WITH APPROPRIATE COMMERCIAL MATE-N-LOK™ PINS.
2. THIS CAP TO BE USED WITH PLUG 480275.



0.324 IN ³	1-480278-0
VOLUME	PART NUMBER

<small>THE PRESENCE OF A CHECKED TOLERANCE FROM THIS ELECTRONIC ORGANIZATION INDICATES THAT THE DIMENSIONS SHOWN ARE THE DIMENSIONS OF THE ORGANIZATION UNLESS OTHERWISE SPECIFIED. THIS IS SUBJECT TO CHANGE FOR TECHNOLOGICAL OR MANUFACTURING REASONS. CONTACT THE ORGANIZATION FOR THE LATEST REVISION.</small>		DWN: R. WHITAKER 19MAR2008 CHK: C. CASH 19MAR2008 APVD: C. CASH 19MAR2008	Tyco Electronics Harrisburg, PA 17105-3608
DIMENSIONS: mm [INCHES]	TOLERANCES UNLESS OTHERWISE SPECIFIED: 9 PLC ± 1 PLC ± 2 PLC ±0.13 (1.005) 3 PLC ± 4 PLC ± ANGLES ±1°	NAME: CAP, 12 CIRCUIT, MATE-N-LOK(TM) PRODUCT SPEC: APPLICATION SPEC: WEIGHT: FINISH:	SIZE: A CAGE CODE: C=480278 DRAWING NO: RESTRICTED TO:
MATERIAL: NYLON, NATURAL		CUSTOMER DRAWING	SCALE: 4:1 SHEET: 1 OF 1 REV: L

